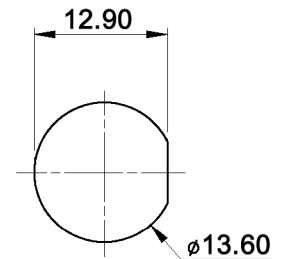
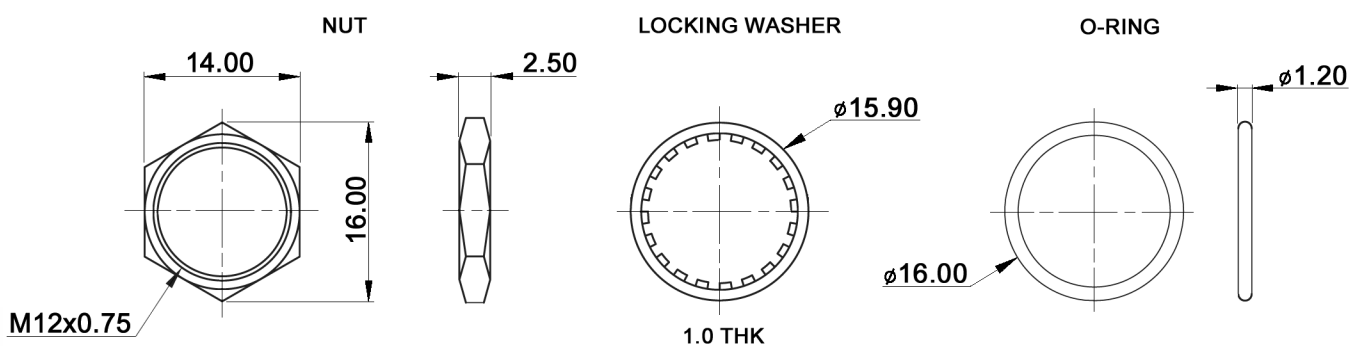


PANEL CUT-OUT



HARDWARE:



Compliance: RohS III (2015/863/EU)

| Tolerances: 0.00: ±0.25mm 0.0: ±0.40mm | | Date | Name | <h1>DPWL 1 AG-xy</h1> |
|---|-------|------|------|-----------------------|
| Accessory | 10/19 | dr | | |
| LED | 05/17 | dr | | |
| Revised | 01/14 | dr | | |
| Rating, electrical life | 02/13 | dr | | <h2>30 17 60</h2> |
| LED color table | 06/10 | dr | | |
| LED color table | 11/09 | dr | | Page |
| Modifications | Date | Name | | 1/2 |

knitter-switch

Specifications:

Contact rating: max. 100mA, 24V DC - endurance 200 000 cycles
 max. 2A, 125V AC - endurance 10 000 cycles
Contact resistance: 100mOhm max.
Insulation resistance: 1GOhm min. at 500V DC
Dielectric strength: 1 000V AC RMS
Electrical life: 200 000 cycles at full load
Operating force: 4.5 - 6.5N
Torque: 0.5Nm max. applied to nut
Soldering conditions: 350°C max., 5sec.
Panel thickness: min.: 1.5mm; max.: 4.0mm
Total travel: 2.5mm
Switching function: off - on
Contact bounce: 10ms
Material: Case / cap / bushing: polyamide 6/6
 Terminal / contact: gold over silver plated
IP rating: IP 67 (mounted)

| X=CAP COLOR | |
|-------------|--------|
| W | white |
| K | black |
| R | red |
| O | orange |
| Y | yellow |
| G | green |
| B | blue |

| Y=LED COLOR | |
|-------------|--------|
| W | white |
| R | red |
| Y | yellow |
| G | green |
| B | blue |

Bi-color: ordering code on request

| Lens appearance | Colour | Electro-optical data (at 20mA) | | | | Peak wavelength | Viewing angle |
|-----------------|--------------|--------------------------------|-------|----------|-------|------------------|---------------|
| | | Vf (V) | | Iv (mcd) | | | |
| | | Typ. | max. | Typ. | min. | | |
| Water clear | super white | 2.8 | 3.3 | 200.0 | 100.0 | x=0.27 y=0.27 | 35° |
| | super red | 2.0 | 2.5 | 700.0 | 200.0 | 645.0 | |
| | yellow | 2.1 | 2.6 | 100.0 | 55.0 | 589.0 | |
| | green | 2.2 | 2.7 | 130.0 | 70.0 | 565.0 | |
| | super blue | 3.1 | 3.6 | 580.0 | 250.0 | 460.0 | |
| | super yellow | 2.0 | 2.6 | 475.0 | 210.0 | 590.0 | |
| | super green | 2.0 | 2.6 | 210.0 | 140.0 | 570.0 | |
| | super yellow | 2.1 | 2.6 | 200.0 | 94.0 | 590.0 | |
| | super blue | 3.2 | 3.6 | 200.0 | 94.0 | 460.0 | |
| | super yellow | 2.1 | 2.6 | 100.0 | 63.0 | 590.0 | |
| | super red | 2.0 | 2.6 | 90.0 | 42.0 | 630.0 | |
| | super red | 2.0 | 2.6 | 90.0 | 42.0 | 630.0 | |
| | super green | 2.0 | 2.6 | 90.0 | 42.0 | 570.0 | |
| | super red | 2.0 | 2.6 | 90.0 | 42.0 | 630.0 | |
| | super blue | 3.2 | 3.6 | 200.0 | 94.0 | 460.0 | |
| super green | 2.0 | 2.6 | 100.0 | 42.0 | 570.0 | | |
| super blue | 3.2 | 3.6 | 200.0 | 94.0 | 460.0 | | |

Compliance: RohS III (2015/863/EU)

| | | | | |
|---|-------|-------|-----------------------|-----------------------|
| Tolerances: 0.00: ±0.25mm 0.0: ±0.40mm | | Date | Name | <h1>DPWL 1 AG-xy</h1> |
| | | 03/09 | dr | |
| Accessory | 10/19 | dr | | |
| LED | 05/17 | dr | | |
| Revised | 01/14 | dr | | |
| Rating, electrical life | 02/13 | dr | | |
| LED color table | 06/10 | dr | knitter-switch | <h2>30 17 60</h2> |
| LED color table | 11/09 | dr | | |
| Modifications | Date | Name | | |